

PICK AND CARRY

Handling and riding with loads
without the need for footing

up to
995 Kg

Electric engine

Max. torque 1100 Nm
Max. speed 4 km/h
Power 3 kW

Danfoss Hydraulics

Max. Hydraulic flow rate 20 l/min
Max. Hydraulic pressure 180 bar
Proportional distributor
Piston hydraulic generator
Combination of functions

Battery Vanguard

Capacity 10 kWh
Nominal voltage 51,2 V
Max. charging power 3,3 kW
Full charge from 0 to 100% in 3 hours
Charging 230 V or 400 V
Charging control via app

Main arm

Max. height 8,25 m
Max. weight 2 000 Kg
Radius 190 degrees

Remote control

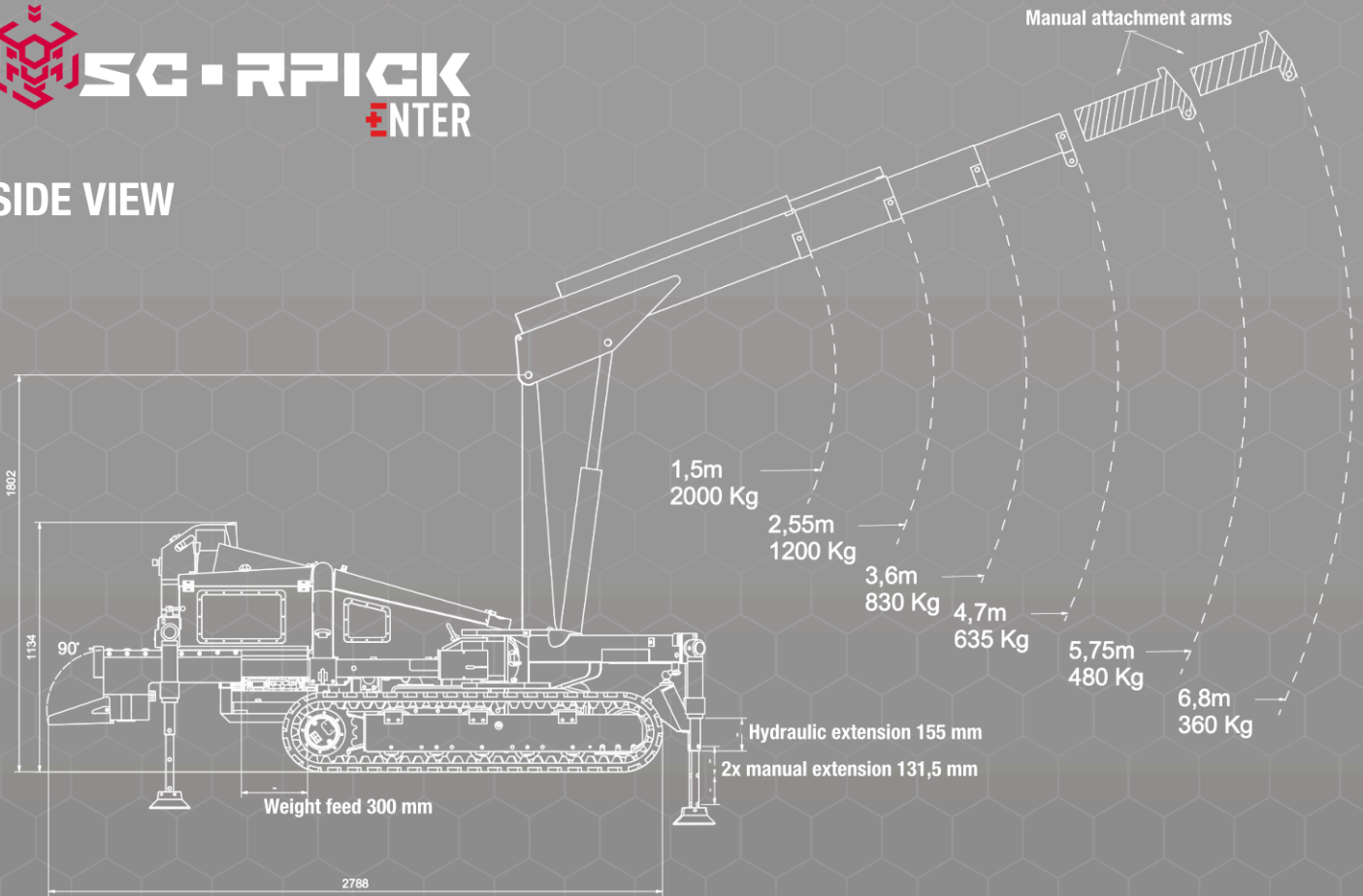
Multifunctional
Plowshare control
Track control
Crane control



- ◆ Track pressure on the ground 0,36 Kg/cm²
- ◆ Electrically operated counterweight
- ◆ Variable adjustable feet
- ◆ Traction device for 3,5 t
- ◆ 4.5 t hydraulic winch
- ◆ Plowshare
- ◆ Czech manufacture

- ◆ Warranty 12 months (24 months for HNJ construction)
- ◆ 8 year battery warranty
- ◆ Machine weight 2050 Kg (depending on equipment)
- ◆ 26 years of experience

SIDE VIEW



DIMENSIONS

TOP VIEW

